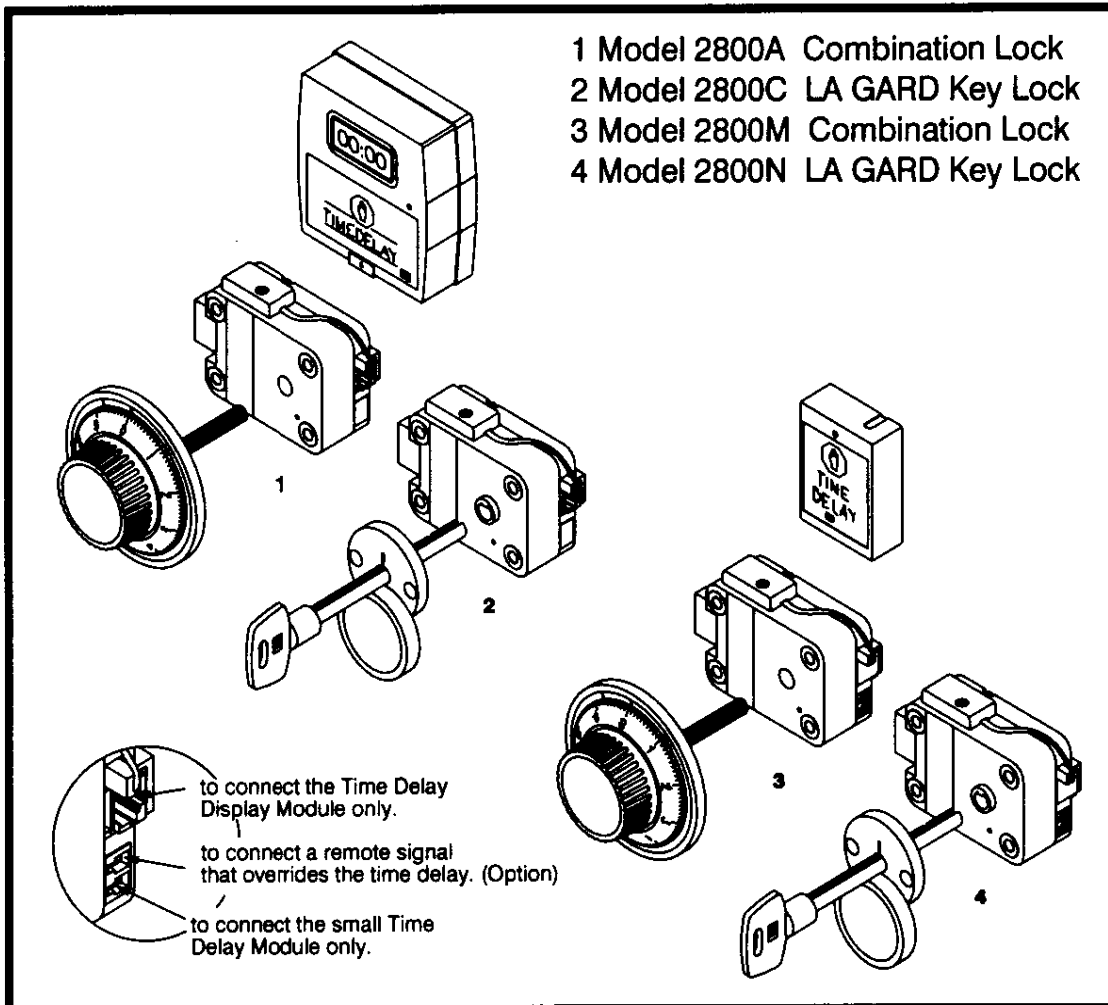




# DELAYGARD

ELECTRONIC TIME DELAY

## OPERATING INSTRUCTIONS



(For Standard Operation and Changing Instructions - See Group 2, Group 1, and Key Lock)

### OPERATING INSTRUCTIONS - COMBINATION LOCK

- Dial combination normally.
- After the last number, turn dial clockwise until it stops.
  - The Time Delay unit will prevent the bolt from being retracted.
  - DO NOT FORCE DIAL
- Turn dial counterclockwise.
  - The Time Delay will be activated.

#### IMPORTANT:

If an attempt is made to open lock during “Delay” period, the “Delay” period will restart.

- After “Delay” period has expired, unit will beep.
- Open the lock.
  - If lock is not opened while unit is beeping, “Open” period will expire.
  - Repeat procedure from beginning.

## OPERATING INSTRUCTIONS - KEY LOCK

- Insert key and turn clockwise until it stops. DO NOT FORCE KEY.
- Turn key counterclockwise and remove.
  - The Time Delay will be activated.

### IMPORTANT:

If key is reinserted and turned during “Delay ” period, the “Delay” period will restart.

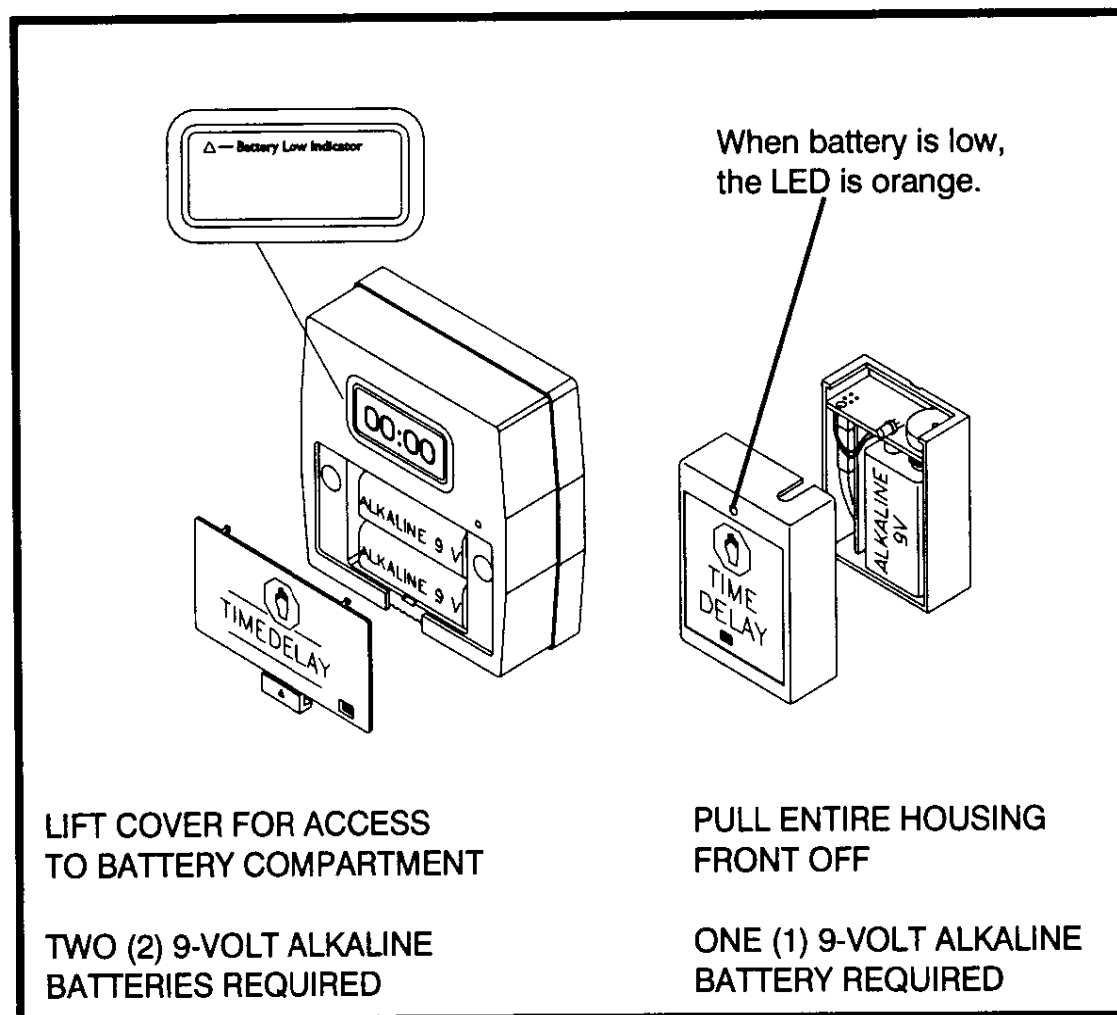
- After “Delay” period has expired, unit will beep.
- Reinsert key and open the lock.
  - If lock is not opened while unit is beeping, “Open” period will expire.
  - Repeat procedure from beginning.

## CHANGING BATTERIES

### IMPORTANT:

Large Display: When triangle appears in upper left corner of LCD, CHANGE BATTERIES.

Small Display: When light is Orange during “Open” period, CHANGE BATTERY.



# ELECTRONIC WIRING INSTRUCTIONS

## IMPORTANT:

DO NOT allow metal chips in electronic components.  
DO NOT LUBRICATE THE LOCK.

- Route cable from Display through door.
- Mount display carefully. DO NOT PINCH CABLE.
- Route cable away from all moveable mechanical parts.
- Tie extra cable together so it will not snag during use.
- Connect user-supplied batteries to connectors in battery compartment.
  - Test unit operation BEFORE CLOSING THE DOOR.
- **Use 9 volt alkaline batteries only.**

## SETTING “DELAY” AND “OPEN” TIMES

(See Switch Diagram on back page)

**CRITICAL:**        MAXIMUM “DELAY” TIME = 99 minutes  
                          MAXIMUM “OPEN” TIME = 9 minutes

### **DO NOT EXCEED MAXIMUM TIME SETTINGS.**

- Switches are under label on lock cover.
  - Peel off label to set switches.
- Each switch has a time value in minutes.
  - ADD switch time values to set total time desired.
- Switches in **ON** position are not active and have no time value.
- After setting switches, replace label on the lock cover.

## IMPORTANT:

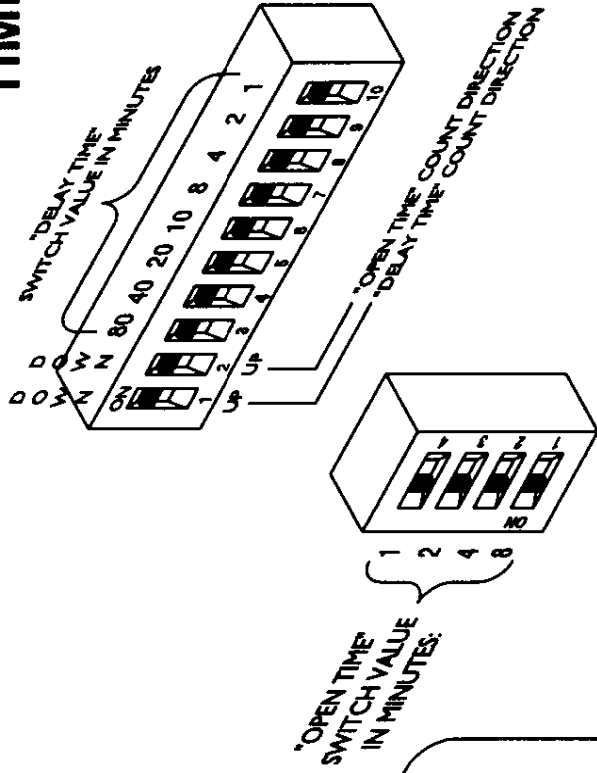
- Set “Delay” and “Open” time display switches. (Switches 1 and 2)
  - Switches in ON position count Down.
  - Switches in OFF position count Up. When displays are counting Up, **add one (1) minute to total time setting.**

**NOTE:** If display switches are changed after delay time is set, adjust time switches to allow for addition or subtraction of one (1) minute.

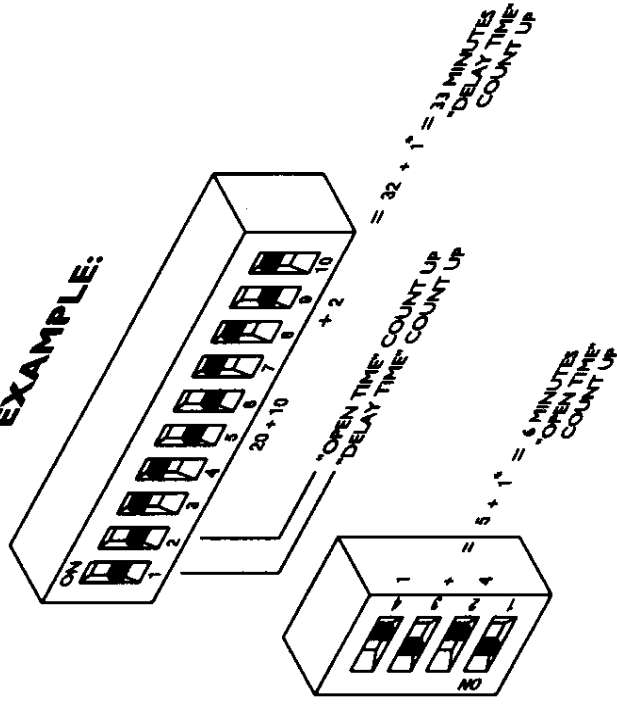
---



# TIME DELAY SWITCH DIAGRAM



## EXAMPLE:



\*Add one (1) minute to total.  
Open times counting up.